



# MX-B450P / MX-B350P

A4 Black & White Printer

[www.sharp.co.uk](http://www.sharp.co.uk)

**SHARP**  
Be Original.

# High performance as standard

Sometimes all you need is a reliable machine that just makes life simpler and your time more productive. So that's what we've created.

These A4 monochrome printers have a powerful print engine that delivers output speeds of up to 45ppm (MX-B450P) or 35ppm (MX-B350P).

## Work anywhere, on anything

When you have to connect to a wired network you can't always work when, where and how you want. But our printers include built-in wireless connectivity as standard. Not only can you locate your printers wherever they're needed most, but you also have the flexibility to quickly connect and use them.

So if you're using a mobile phone or tablet you can easily connect to the nearest printer, just like a desktop or laptop. The Sharpdesk Mobile print application\*<sup>1</sup> then makes it really easy to print files from your own device.

\*1: Availability varies by country/region.

## Keeping it simple

The more advanced technology gets, the harder it can be to use. Especially if you have users with different levels of technical ability. So we've kept things simple.

Whether you need a desk top device or a floor-standing configuration, these printers have a modern design and space-efficient, modular configuration that can fit into any work environment.

They also include a range of easy-to-use features:

- **a 5-line LCD control panel** provides clear and concise information
- **printer driver setup window** has large buttons and drop-down menus, so you can quickly find the right functions
- **a USB port on the front** means you can instantly print from a USB drive!

Managing all of your networked printers, as well as MFPs, is also a breeze. Everything can be controlled from one location using Sharp Remote Device Manager (SRDM).



# Do more, waste less

Improving productivity inevitably means doing things faster and smarter.

The MX-B450P and MX-B350P printers have a large 1,150 sheet capacity (with additional paper tray). But their standard paper tray, as well as multi bypass tray, accommodates a wide variety of paper sizes, including A6, and media up to 220gsm. So they can easily handle a variety of personal or workgroup needs, while requiring very little user intervention during the day.

They also include a number of features that can save you even more time and money, including a built-in duplex module for efficiently making two-sided printouts.

## Protecting your business

Could your business survive if your data was lost or stolen? Probably not. That's why our printers include robust security features designed to keep your documents safe from data theft and cyber attacks:

- **advanced network encryption** using IPsec and SSL protocols keeps your information secure
- **standard user authentication** for up to 30 users prevents any unauthorised use
- **data initialisation** totally erases any retained data when it's time to replace the printer.



Compact desk top configuration



Expandable paper capacity



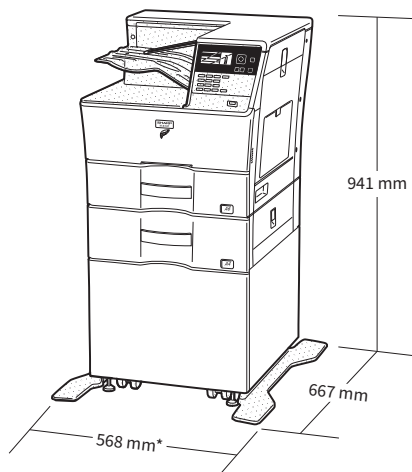
Conveniently located USB port

*Choose a high performance printer  
to get the productivity you require*

# Specifications

## General

<b>Engine speed</b> (ppm/cpm) (Max)	<b>A4</b> <sup>*1</sup>
MX-B450P	45
MX-B350P	35
<b>Control panel display</b>	5-line LCD
<b>Paper size</b> (Min - Max)	A6 - A4
<b>Paper capacity</b> (Std - Max)	
Sheets	550 - 1,150
Drawers	1 - 2 (plus bypass tray)
<b>Paper weight</b> (g/m <sup>2</sup> )	
Drawer 1	60 - 105
Drawer 2	55 - 220
Multi-bypass tray	55 - 220
<b>Warm-up time</b> <sup>**2</sup> (seconds)	29
<b>First print time</b> <sup>**3</sup> (seconds)	
MX-B450P	5.0
MX-B350P	5.5
<b>Memory</b> (GB)	1
<b>Power requirements</b>	Rated local AC voltage ±10%, 50/60 Hz
<b>Power consumption</b> (kW) (Max)	1.84 (220 to 240V)
<b>Dimensions</b> (mm) (W x D x H) <sup>**4</sup>	489 x 517 x 440
<b>Weight</b> (kg) (approx.)	23

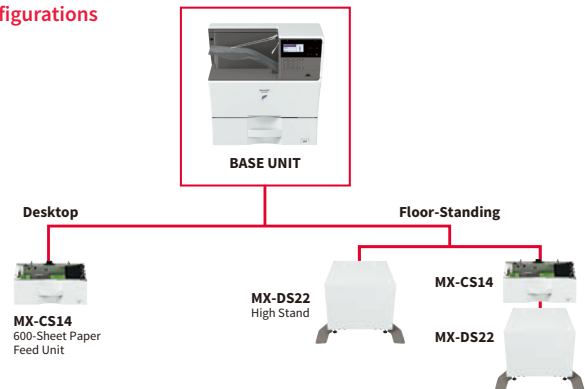


\* 702 mm when multi bypass tray is extended.

## Network printer

<b>Resolution</b> (dpi)	600 x 600
<b>Interface</b>	USB 2.0, 10Base-T/100Base-TX/1000Base-T
<b>Supported OS</b>	Windows Server® 2008, 2008R2, 2012, 2012R2, 2016, Windows® 7, 8.1, 10 Mac OS X 10.6, 10.7, 10.8, 10.9, 10.10, 10.11, 10.12, 10.13
<b>Network protocols</b>	TCP/IP
<b>Printing protocols</b>	LPR, Raw TCP (port 9100), FTP for downloading print files, IPP, SMB, WSD
<b>PDL</b>	Standard: PCL 6 emulation, PostScript®3™ emulation
<b>Available fonts</b>	80 fonts for PCL, 136 fonts for PostScript®3™
<b>Wireless LAN</b>	
<b>Compliant regulation</b>	IEEE802.11n/g/b
<b>Access mode</b>	Infrastructure mode, Software AP mode
<b>Security</b>	WEP, WPA/WPA2-mixed PSK, WPA2 PSK

## Configurations



Note: When placing the Printer on the floor, Sharp recommends placing it on a MX-DS22.

<sup>\*1</sup> Short-edge feeding. <sup>\*\*2</sup> In a standard measurement environment. May vary depending on operating conditions and environment. <sup>\*\*3</sup> Short-edge feeding of A4 (8 1/2" x 11") sheets from 1st paper tray, using document glass, printer in fully ready condition. May vary depending on operating conditions and environment. <sup>\*\*4</sup> Including adjusters and protuberances.

Design and specifications are subject to change without prior notice. Windows, PCL is a registered trademark of Hewlett-Packard Company. PostScript 3 is either a registered trademark or trademark of Adobe Systems Incorporated in the US and/or other countries. Windows Server and Windows are either registered trademarks or trademarks of Microsoft Corporation in the US and/or other countries. Mac is a trademark of Apple Inc., registered in the US and other countries. All other company names, product names and logotypes are trademarks or registered trademarks of their respective owners. ©Sharp Corporation July 2018. Ref: MX-B450P/MX-B350P Job:19207. All trademarks acknowledged. E&OE.